

Pumps



EcoVISE variable speed pump 0.75 kW

Three selectable program speeds ensure silent operation, energy savings and more efficient filtration. Built on the same design and performance as WaterVISE, with a high efficiency, motor. Integrated timer functions and external control of selected speeds.

Technical data			Voltage/Ampere				
Item no.	Type	kW		3~230V	1~230V	3~400V	kg
		50Hz					
117103	HV75	< 0.75	-	4.4	-	-	13

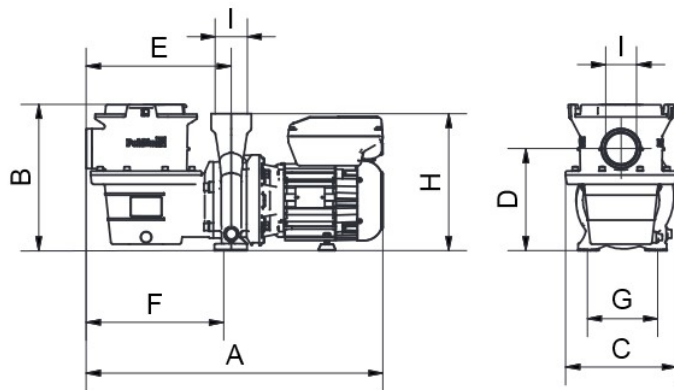
Accessories

Item no.

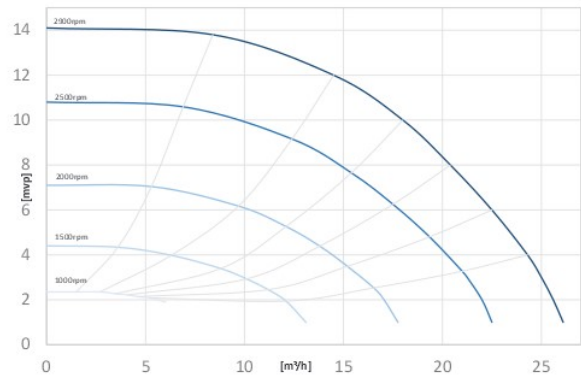
117100	External switch Eco
--------	---------------------

Features

- WaterVISE design and performance
- High efficiency, synchronous motor
- Three adjustable selectable program speeds
- Timer functions for flexible operating conditions
- External speed control as accessories
- Maximum energy savings



Pump capacities



Dimensions

Item no.	Type	A	B	C	D	E	F	G	H	I
117103	HV75	525	280	196	181	257	239	125	243	2"